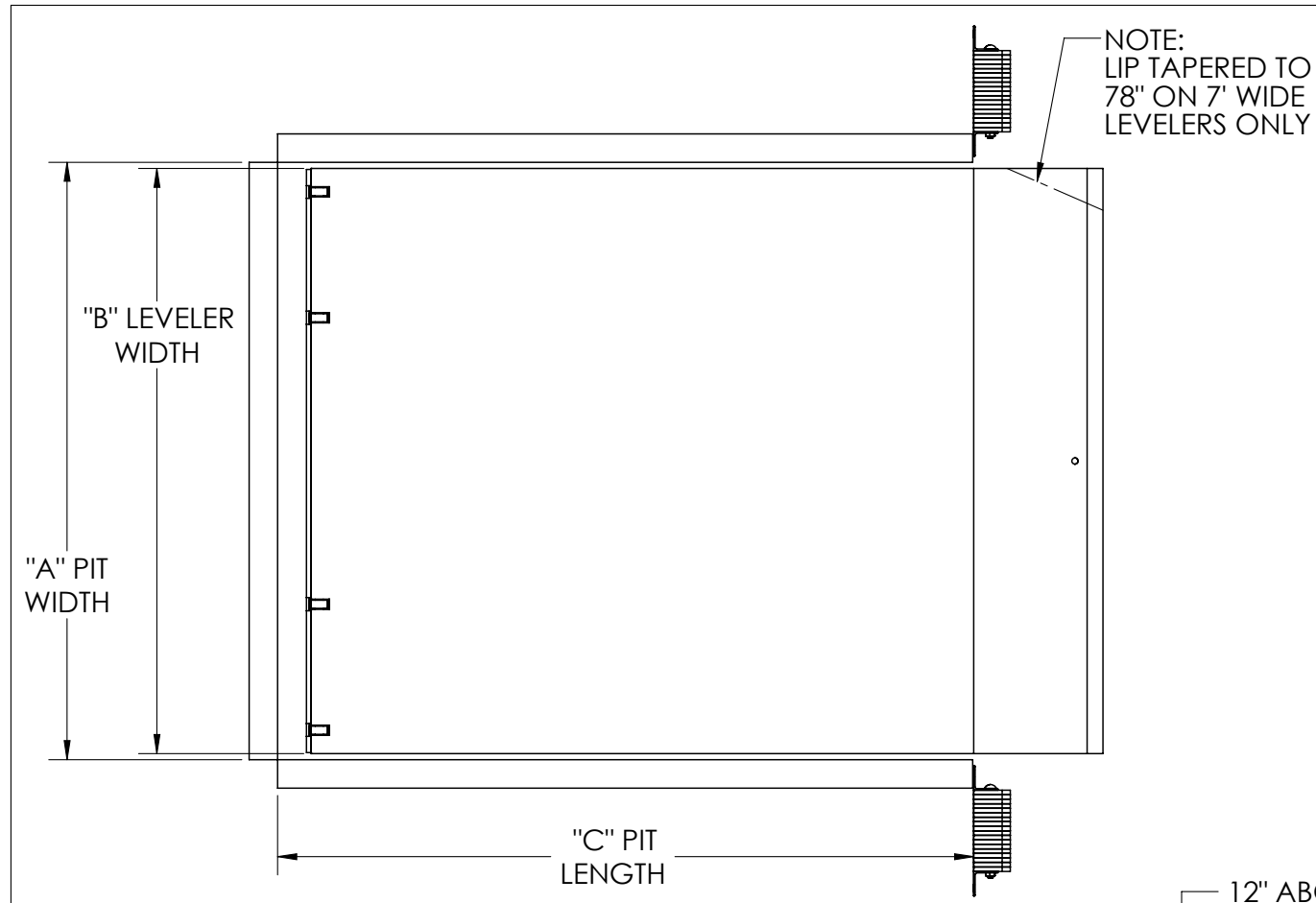


# NOVA NHS HYDRAULIC DOCK LEVELER

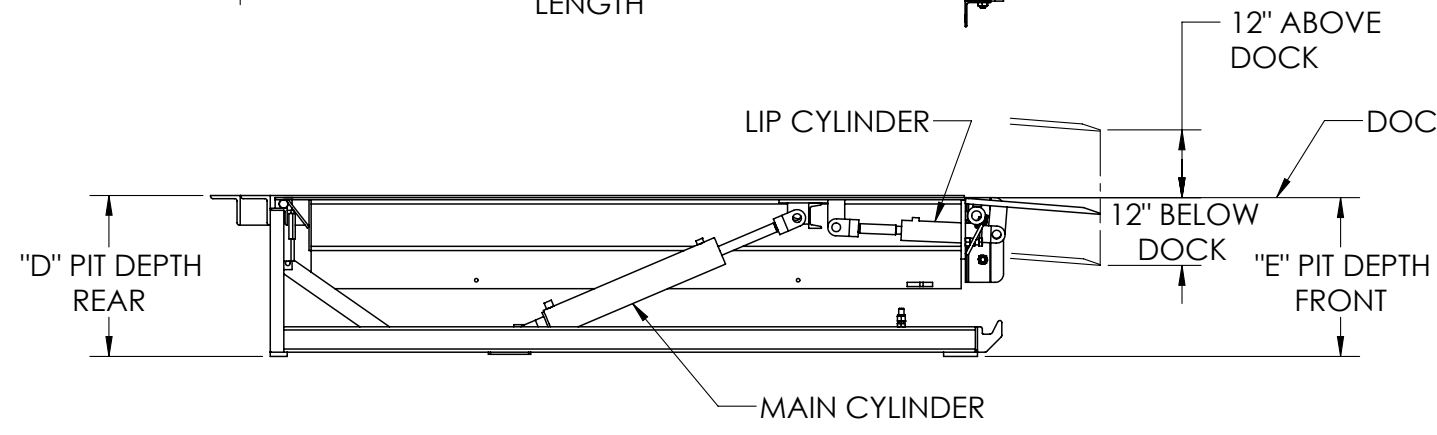
## ARCHITECTURAL DRAWING



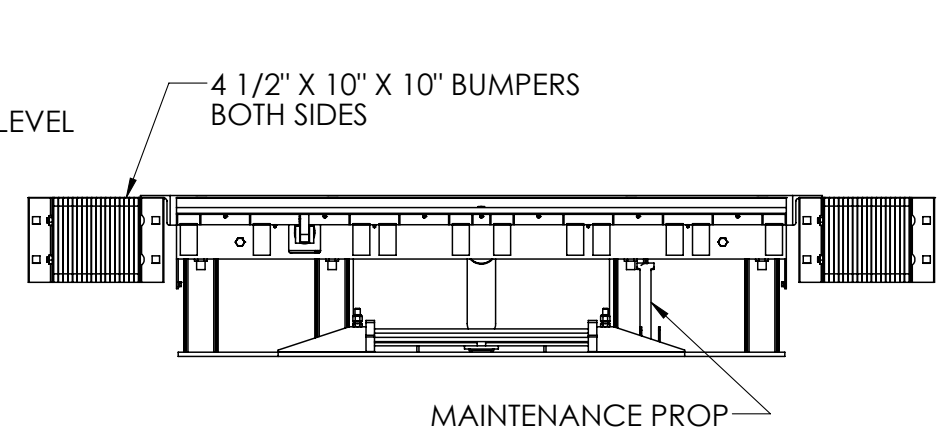
SELECT	MODEL #	SIZE	"A" PIT WIDTH	"B" LEVELER WIDTH	"C" PIT LENGTH	"D" PIT DEPTH REAR	"E" PIT DEPTH FRONT
	NHS-6006	6'W X 6'L	74"	72"	63"	19 1/2"	20" *
	NHS-6008	6'W X 8'L	74"	72"	87"	19 1/2"	20" *
	NHS-6010	6'W X 10'L	74"	72"	111"	23 1/2"	24"
	NHS-6606	6'6"W X 6'L	80"	78"	63"	19 1/2"	20" *
	NHS-6608	6'6"W X 8'L	80"	78"	87"	19 1/2"	20" *
	NHS-6610	6'6"W X 10'L	80"	78"	111"	23 1/2"	24"
	NHS-7006	7'W X 6'L	85"	83"	63"	19 1/2"	20" *
	NHS-7008	7'W X 8'L	85"	83"	87"	19 1/2"	20" *
	NHS-7010	7'W X 10'L	85"	83"	111"	23 1/2"	24"

SELECT CAPACITY  
 45,000LB (CIR)     55,000LB (CIR)     75,000LB (CIR)     100,000LB (CIR)

\* "E" PIT DEPTH FRONT FOR 75,000LB AND 100,000LB IS 24"



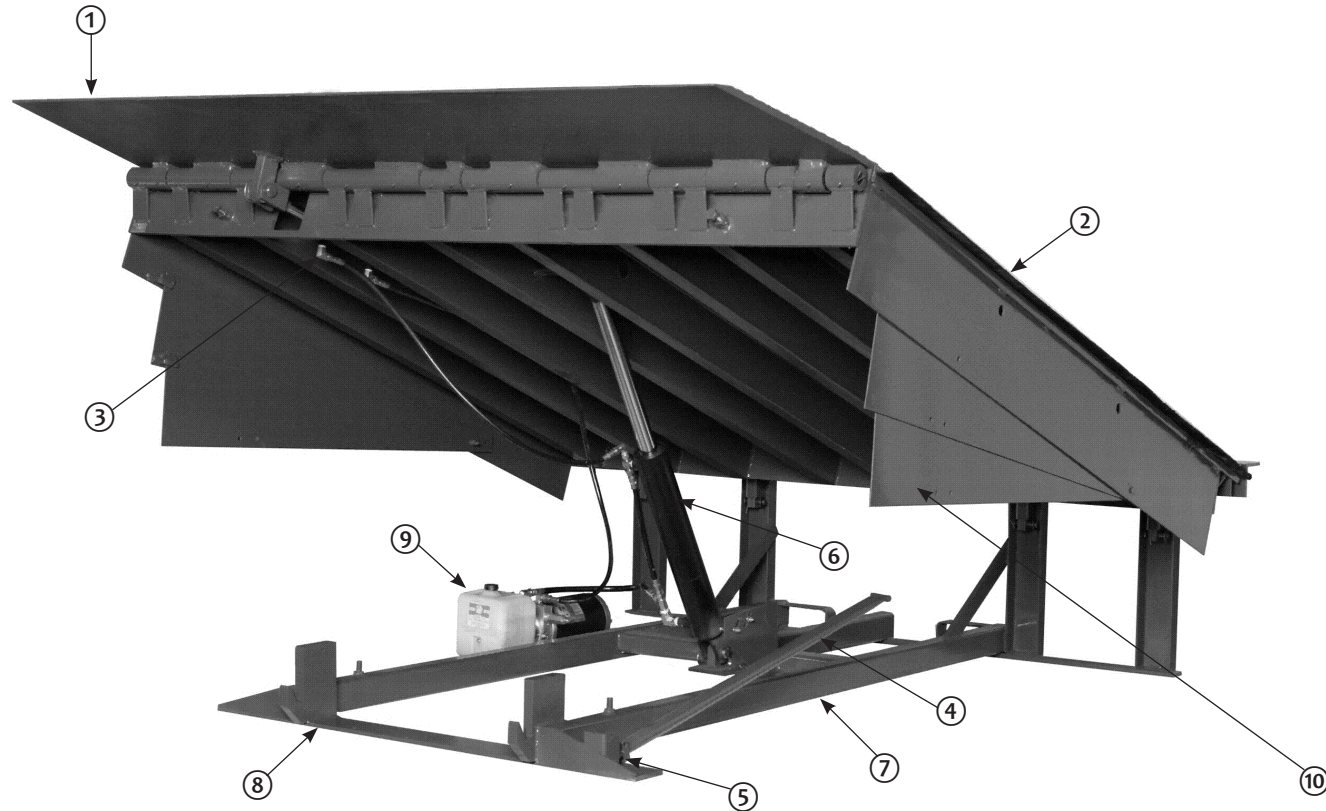
MAIN AND LIP CYLINDER VIEW



NOVA TECHNOLOGY™	MATERIAL			
	NAME	LEVELER		
ALL INFORMATION CONTAINED IN THIS DOCUMENT IS PROPERTY OF NOVA TECHNOLOGY AND MAY NOT BE REPRODUCED IN WHOLE OR PART, WITHOUT WRITTEN CONSENT OF NOVA TECHNOLOGY	PART NO.	NHS 45, 55, 75 & 100	SCALE: 1:18	
	FINISH		SHEET 1 OF 1	9/17/2013 DBR

# NOVA NHS HYDRAULIC DOCK LEVELER

(45K-100K)



- |                      |                       |                                      |
|----------------------|-----------------------|--------------------------------------|
| 1 — LIP              | 5 — PROP PIN AND CLIP | 8 — LIP KEEPERS (2 USED)             |
| 2 — PLATFORM         | 6 — PLATFORM CYLINDER | 9 — POWERPACK (MOTOR/PUMP/RESERVOIR) |
| 3 — LIP CYLINDER     | 7 — MAIN FRAME        | 10 — FULL RANGE TOE GUARD (2 USED)   |
| 4 — MAINTENANCE PROP |                       |                                      |

## STANDARD FEATURES

- 1 1/4 HP frame-mounted single- or three-phase motor
- Full-range telescoping toe guards
- Night locks, cross-traffic support
- Integral tamper-proof velocity safety stop
- 16-inch yieldable lip (45,000 and 55,000 pound units)
- 18-inch yieldable lip (75,000 and 100,000 pound units)
- Easy clean frame design
- Below dock end load capability
- Positive lip extension and retraction with true regenerative hydraulic control
- NEMA 12 panel
- Two 4-inch 1014 laminated bumpers (6-inch 1014 on 75,000 and 100,000 pound units)
- Structural steel support members

## OPTIONAL FEATURES

- Rubber weather seal
- Brush weather seal
- V-112 bumpers
- B-610-14 bumpers (standard on 75,000 and 100,000 pound units)
- Three-wheel support
- 5-inch barrier lip
- 18-inch lip (standard on 75,000 and 100,000 pound units)
- 20-inch lip
- 24-inch riser kit (24-inch pit depth is standard on all 10 foot long levelers and 75,000 and 100,000 pound units)
- Wash down
- 2-inch foam insulation
- Auto-return to dock
- E-stop/independent lip
- NEMA 4 (push-button box)
- Spray metalized
- Control box stanchion
- Cut down leveler length and width
- Stainless steel pins and lip rods
- Steel pan: 4-sided
- Quick pit: 3-sided

