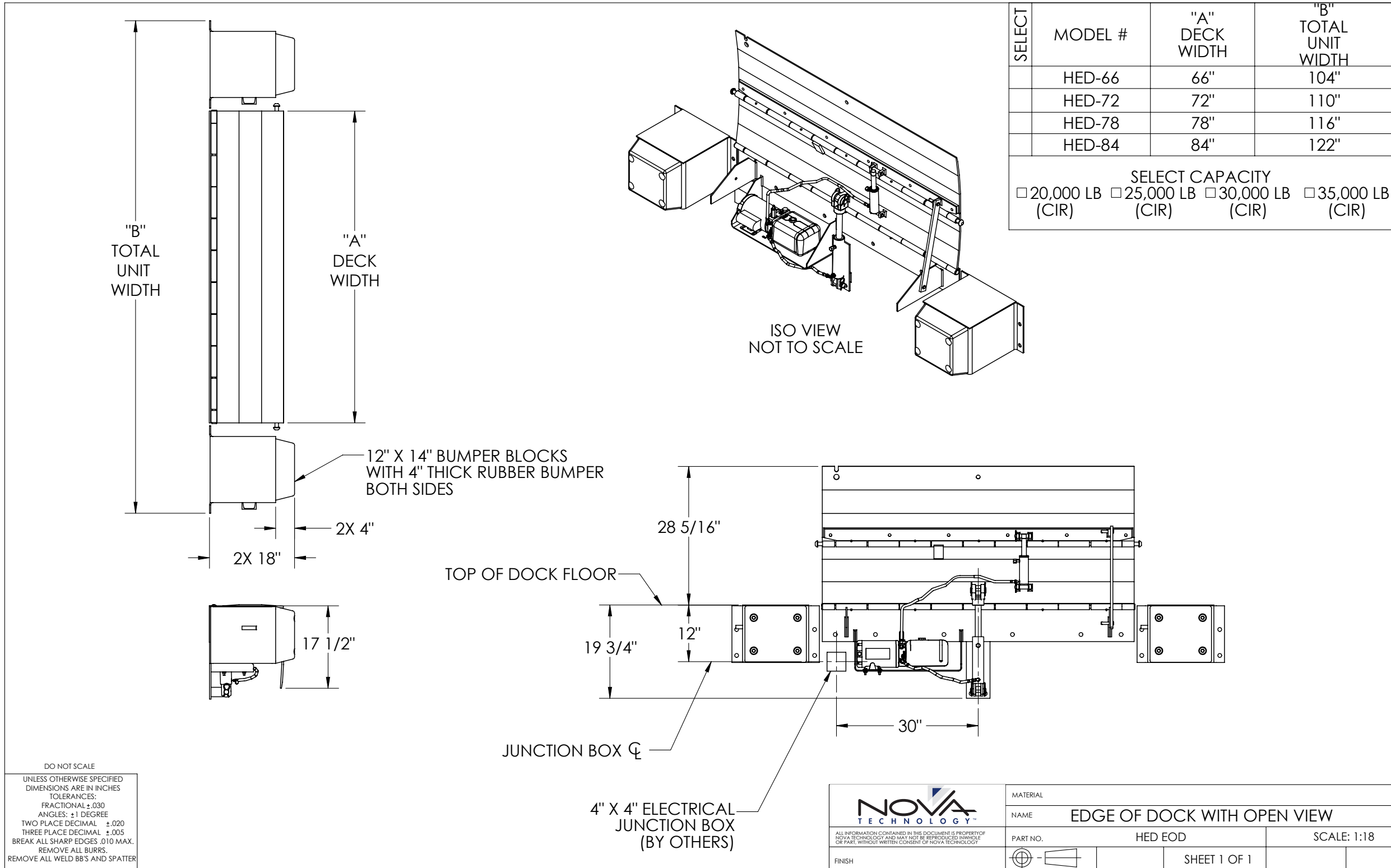
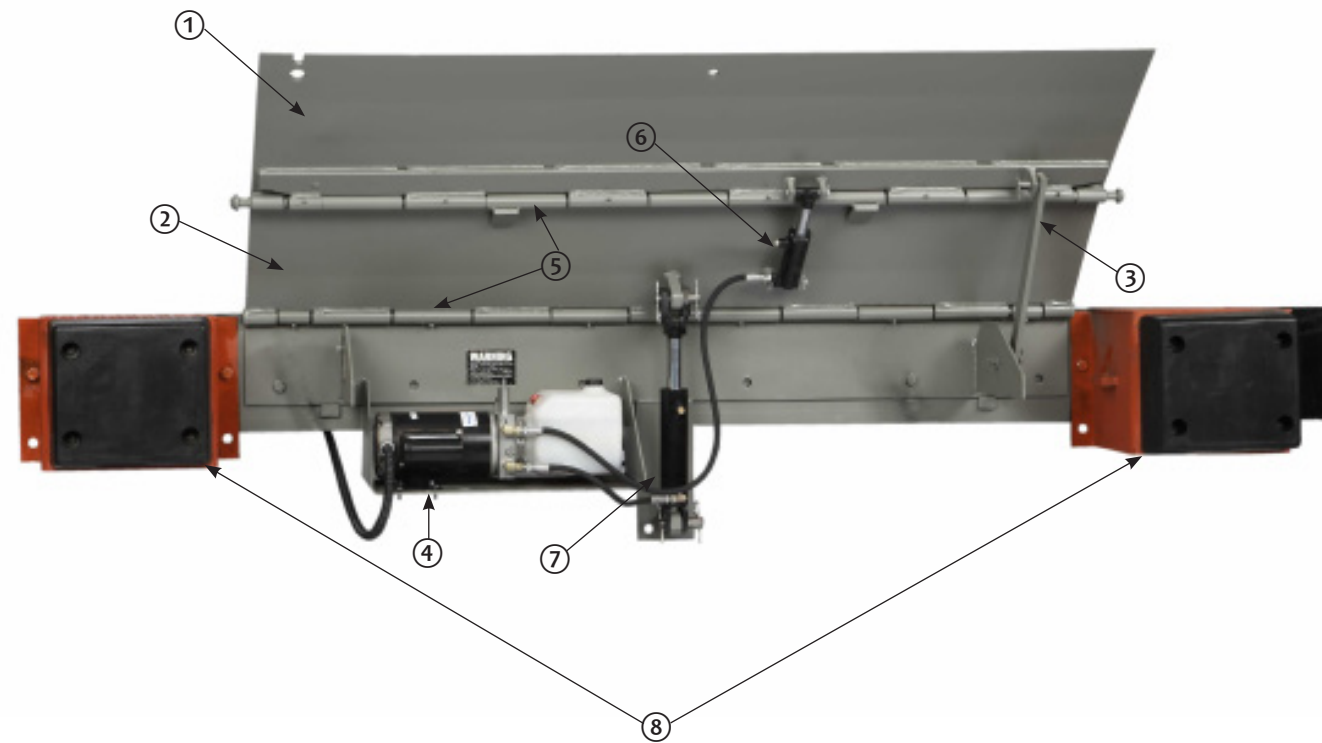


NOVA HYDRAULIC EDGE-OF-DOCK LEVELER

ARCHITECTURAL DRAWING



NOVA HYDRAULIC EDGE-OF-DOCK LEVELER



- | | | |
|------------------|--------------------------------------|--|
| 1 — LIP PLATE | 4 — POWERPACK (MOTOR/PUMP/RESERVOIR) | 7 — MAIN HOIST CYLINDER |
| 2 — CENTER PLATE | 5 — HINGE AREA | 8 — HEAVY-DUTY BUMPER BLOCKS AND RUBBER MOLDED BUMPERS |
| 3 — SAFETY PROP | 6 — LIP CYLINDER | |

STANDARD FEATURES

- Single push-button control panel
- Cold-rolled steel hinge pins for added strength and long life
- Grease fittings
- High-strength steel safety tread plate, minimum 55,000 PSI yield strength
- Milled lip edge for smooth tire rollover
- Fully hydraulic lip & deck cylinders
- Heavy-duty bumper block assemblies with Tuf-Cord 4-inch 1014 rubber molded bumpers
- Bumper projection—18 inches
- 115/230 VAC single-phase powerpack
- Two steel gussets for added strength and extended life

OPTIONAL FEATURES

- Low-profile design (flat center plate)
- 17-inch lip (for refrigerated trailers with rear step)
- Tapered lip (tapered at sides)
- Recessed installation packages for mini-pits
- Torsion spring
- Dock-edge anchoring channel 10 inches length (highly recommended for new construction)
- 3-inch run off guards
- Three-phase powerpack

