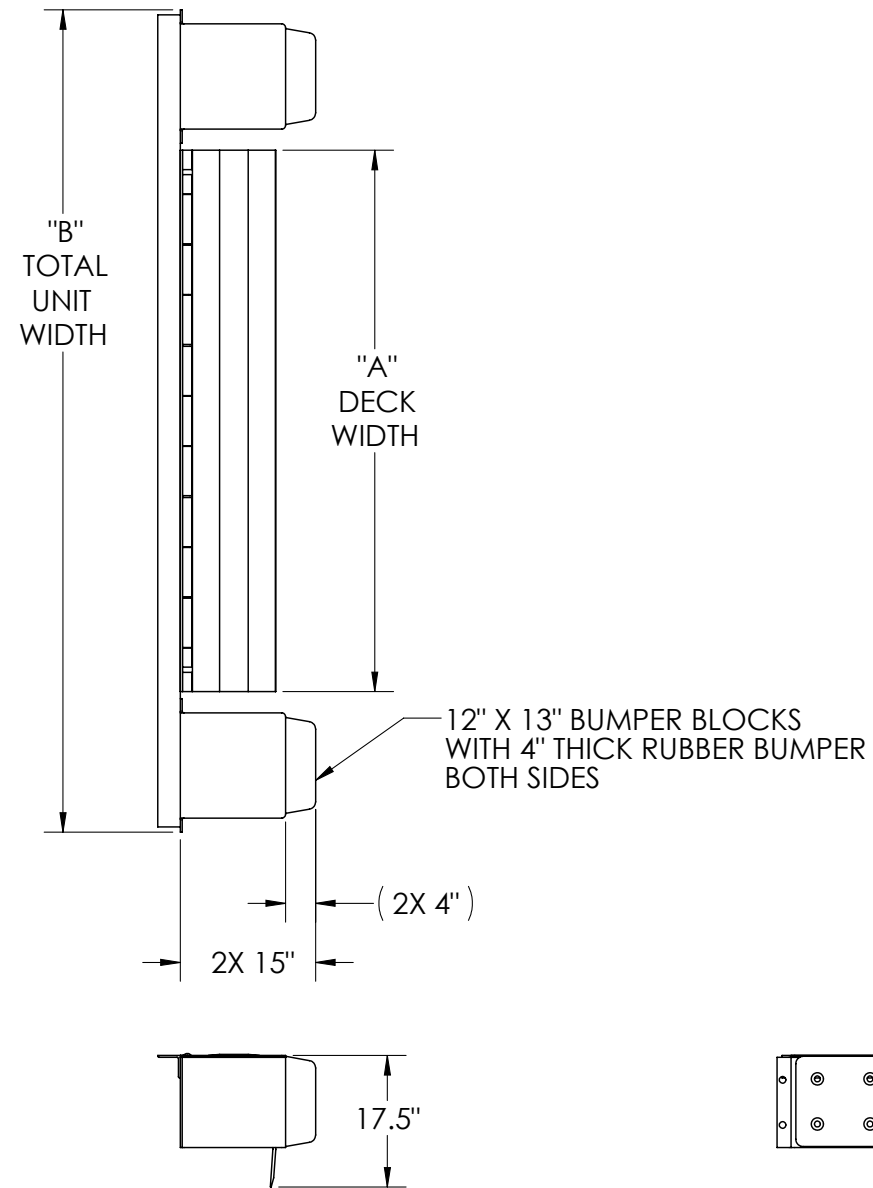


NOVA MECHANICAL EDGE-OF-DOCK LEVELER

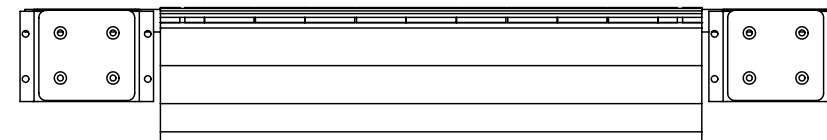
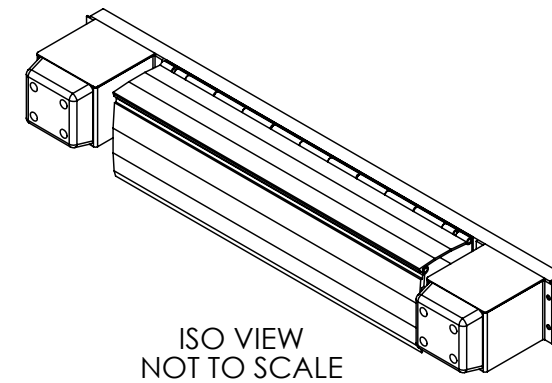
ARCHITECTURAL DRAWING



SELECT	MODEL #	"A" DECK WIDTH	"B" TOTAL UNIT WIDTH
	NL-66	66"	104"
	NL-72	72"	110"
	NL-78	78"	116"
	NL-84	84"	122"

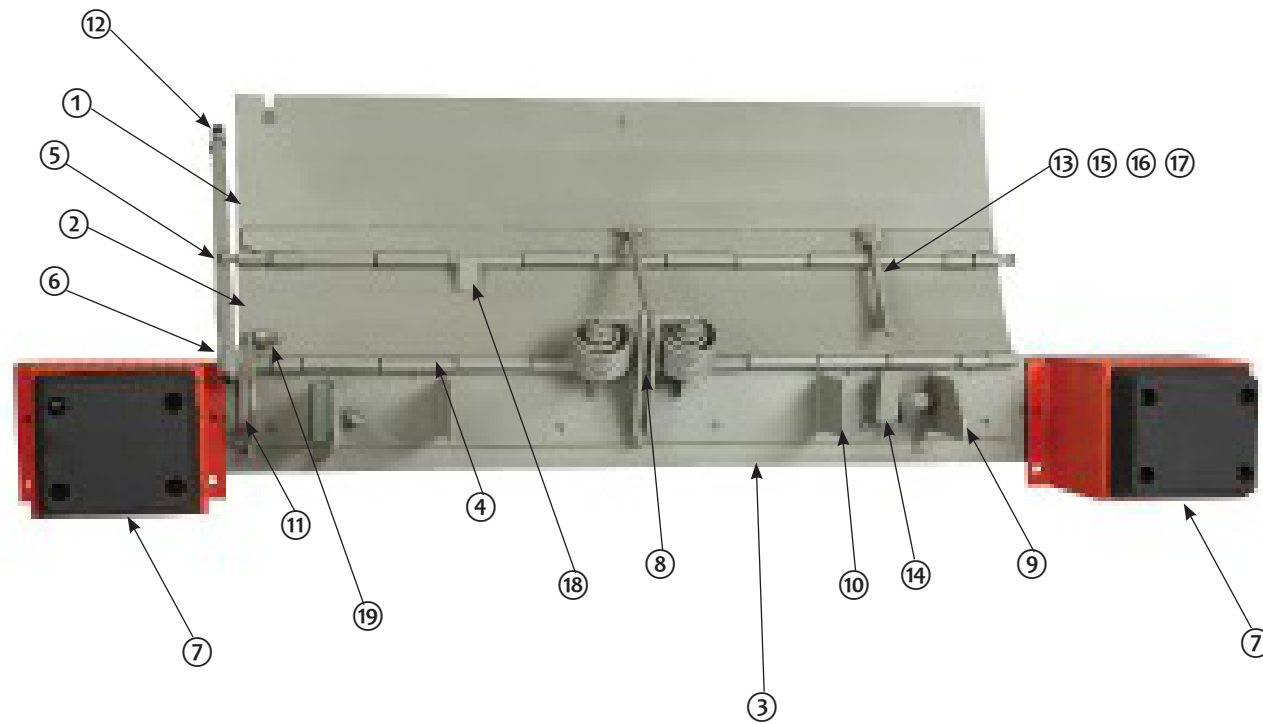
SELECT CAPACITY

20,000 LB (CIR) 25,000 LB (CIR) 30,000 LB (CIR) 35,000 LB (CIR)



<p>ALL INFORMATION CONTAINED IN THIS DOCUMENT IS PROPERTY OF NOVA TECHNOLOGY AND MAY NOT BE REPRODUCED IN WHOLE OR PART, WITHOUT WRITTEN CONSENT OF NOVA TECHNOLOGY.</p>	MATERIAL			
	NAME	EDGE OF DOCK		
FINISH	PART NO.	NL EOD	SCALE: 1:20	
			SHEET 1 OF 1	9/23/2013 DBR

NOVA MECHANICAL EDGE-OF-DOCK LEVELER



- 1 — LIP PLATE & HINGE ASSEMBLY
- 2 — CENTER PLATE & HINGE ASSEMBLY
- 3 — BASE PLATE & HINGE ASSEMBLY
- 4 — HINGE PIN
- 5 — RIVET - BUTTON
- 6 — RIVET - FLAT
- 7 — HEAVY-DUTY BUMPER BLOCKS AND RUBBER MOLDED BUMPERS

- 8 — SPRING LINKAGE ASSEMBLY
- 9 — X-GUSSET
- 10 — SECONDARY GUSSETS
- 11 — ROLLER ARM ASSEMBLY
- 12 — HANDLE ASSEMBLY
- 13 — EXTEND LINK ARM

- 14 — EXTEND LINK ARM STOP
- 15 — PIVOT BLOCK
- 16 — SHOULDER BOLT
- 17 — LOCKNUT
- 18 — LIP STOP
- 19 — HANDLE HOLDER

STANDARD FEATURES

- Dual-extension spring lift mechanism
- Heavy-duty self-storing steel lever with EZ grip handle
- Roller-bearing lift mechanism for easy lifting
- Cold-rolled steel hinge pins for added strength and long life
- High-strength steel safety tread plate, minimum 55,000 PSI yield strength
- Grease fittings
- Milled lip edge for smooth tire rollover
- Four steel gussets for added strength and extended life
- Full width distribution bar for extra durability
- Heavy-duty bumper block assemblies with Tuf-Cord 4-inch 1014 rubber molded bumpers
- Bumper projection—15 inches

OPTIONAL FEATURES

- Low-profile design (flat center plate)
- 17-inch lip (for refrigerated trailers with rear step)
- Tapered lip (tapered at sides)
- Recessed installation packages for mini-pits
- Torsion spring
- Dock edge anchoring channel 10 inches length (highly recommended for new construction)
- 3-inch run off guards

