

NOVA NAS AIR POWERED DOCK LEVELER

ARCHITECTURAL DRAWING

NOTE: LIP TAPERED TO 78" ON 7' WIDE LEVELERS ONLY

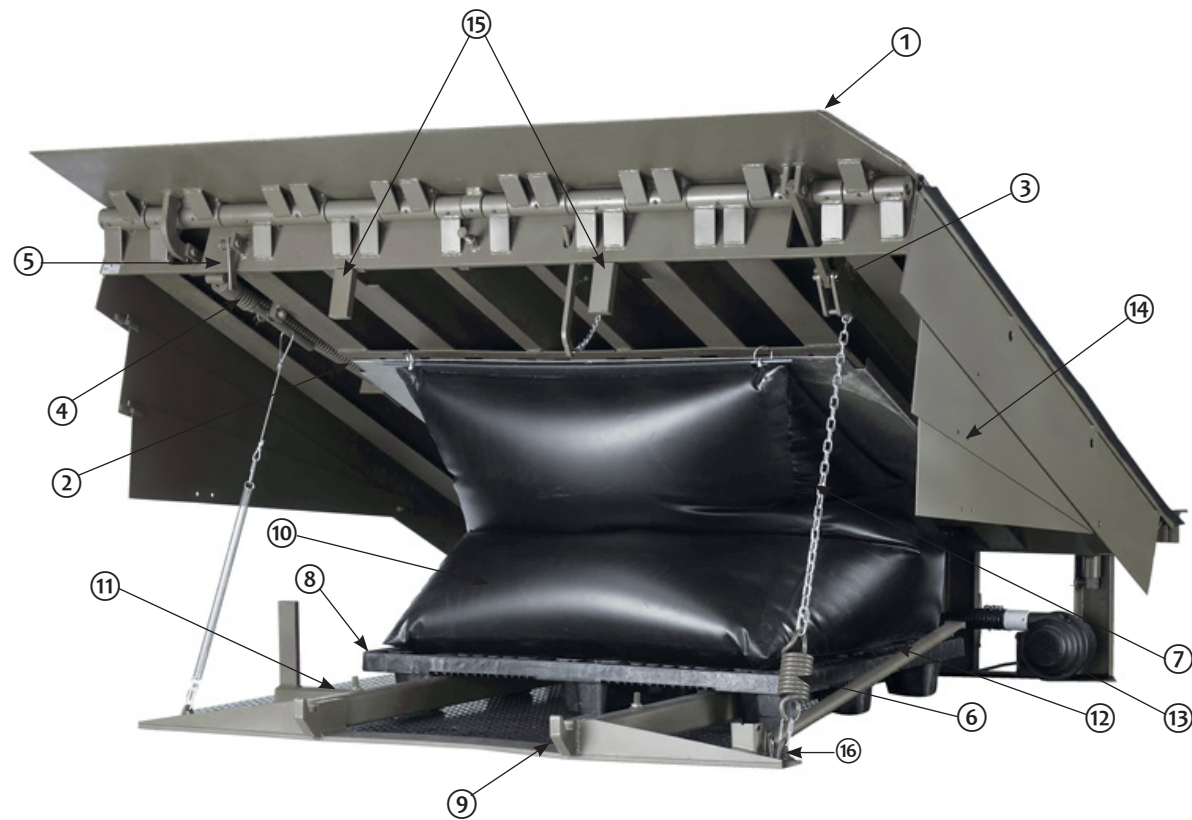
SELECT	MODEL #	SIZE	"A" PIT WIDTH	"B" LEVELER WIDTH	"C" PIT LENGTH	"D" PIT DEPTH REAR	"E" PIT DEPTH FRONT
	NAS-6006	6'W X 6'L	74"	72"	63"	19 1/2"	20"
	NAS-6008	6'W X 8'L	74"	72"	87"	19 1/2"	20"
	NAS-6010	6'W X 10'L	74"	72"	111"	23 1/2"	24"
	NAS-6606	6'6"W X 6'L	80"	78"	63"	19 1/2"	20"
	NAS-6608	6'6"W X 8'L	80"	78"	87"	19 1/2"	20"
	NAS-6610	6'6"W X 10'L	80"	78"	111"	23 1/2"	24"
	NAS-7006	7'W X 6'L	85"	83"	63"	19 1/2"	20"
	NAS-7008	7'W X 8'L	85"	83"	87"	19 1/2"	20"
	NAS-7010	7'W X 10'L	85"	83"	111"	23 1/2"	24"

SELECT CAPACITY
 25,000LB (CIR)
 30,000LB (CIR)
 35,000LB (CIR)
 40,000LB (CIR)
 45,000LB (CIR)
 55,000LB (CIR)

12" ABOVE DOCK
 DOCK LEVEL
 4 1/2" X 10" X 10" BUMPERS BOTH SIDES
 12" BELOW DOCK
 "D" PIT DEPTH REAR
 "E" PIT DEPTH FRONT

	MATERIAL			
	NAME	LEVELER		
<small>ALL INFORMATION CONTAINED IN THIS DOCUMENT IS PROPERTY OF NOVA TECHNOLOGY, AND MAY NOT BE REPRODUCED IN WHOLE OR PART, WITHOUT WRITTEN CONSENT OF NOVA TECHNOLOGY</small>	PART NO.	NAS	SCALE: 1:18	
	FINISH		SHEET 1 OF 1	9/17/2013 DBR

NOVA NAS AIR POWERED DOCK LEVELER



- | | | |
|--------------------------------|---------------------------------|------------------------------------|
| 1 – LIP | 6 – LIP ACTUATOR SNUBBER SPRING | 11 – MAIN FRAME |
| 2 – LIP ASSIST ROD | 7 – LIP ACTUATOR CHAIN | 12 – MAINTENANCE PROP |
| 3 – LIP LINKAGE ASSEMBLY | 8 – AIR BAG SUPPORT PALLET | 13 – BLOWER MOTOR |
| 4 – LIP LATCH ASSEMBLY | 9 – LIP KEEPERS (2 USED) | 14 – FULL RANGE TOE GUARD (2 USED) |
| 5 – LIP MAINTENANCE PROP PIVOT | 10 – AIR BAG | 15 – SAFETY LEGS |
| | | 16 – PROP PIN AND CLIP |

STANDARD FEATURES

- Single-phase 115V motor w/single button control
- Multi-position structural steel safety legs
- Below dock end loading control
- Full-range telescoping toe guards
- 16-inch yieldable lip
- Grease fittings
- Easy clean frame design
- Night locks, cross-traffic support
- NEMA 4 (push button box)
- Steel channel deck support members 25,000, 30,000, 35,000 and 40,000 pound units)
- Structural steel support members (45,000 and 55,000 pound units)
- Three-wheel fork truck protection (45,000 and 55,000 pound units)
- Two 4-inch 1014 laminated bumpers

OPTIONAL FEATURES

- Rubber weather seal
- Brush weather seal
- V-112 bumpers
- B-610-14 bumpers
- Three-wheel support (25,000 pound to 40,000 pound units)
- 5-inch barrier lip; 8 feet or longer only 35,000+ pound units
- 18-inch lip
- 20-inch lip
- 24-inch riser kit (24-inch pit depth is standard on all 10 foot long levelers)
- Wash down
- 2-inch foam insulation
- Spray metalized
- Control box stanchion
- Cut down leveler length and width
- Stainless steel pins and lip rods
- Steel pan: 4-sided
- Quick pit: 3-sided

