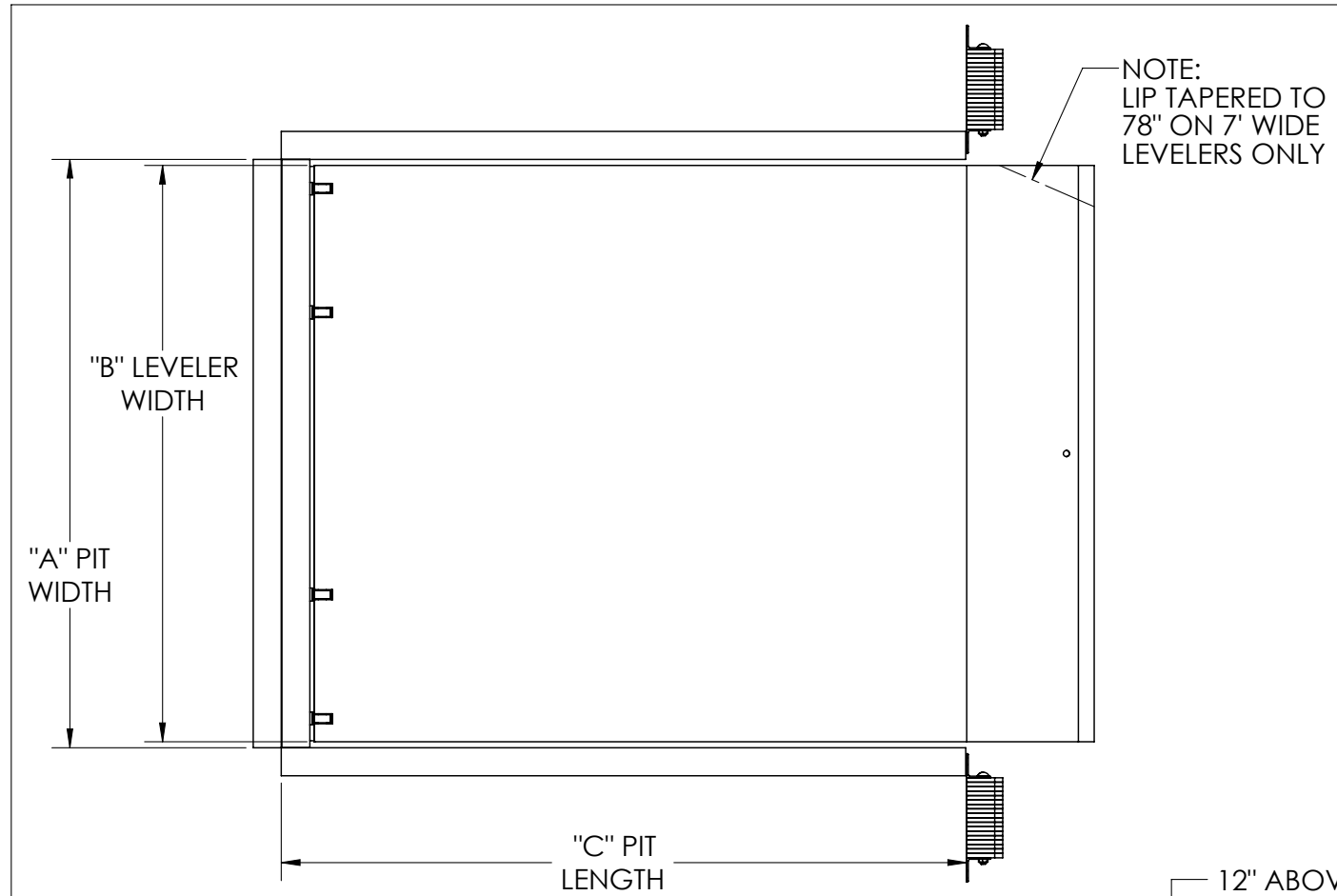


NOVA NHS HYDRAULIC DOCK LEVELER

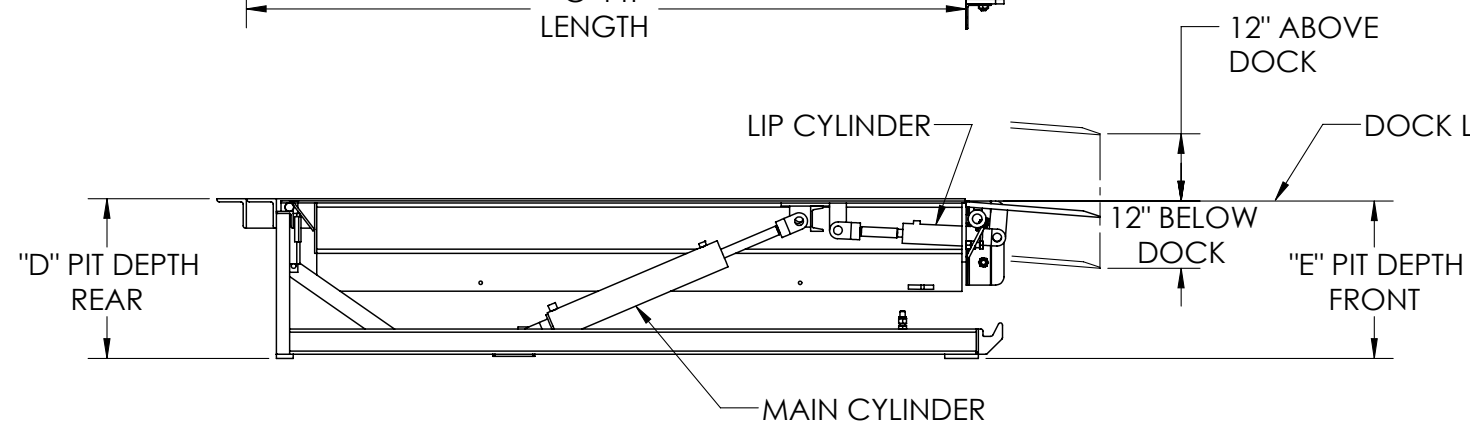
ARCHITECTURAL DRAWING



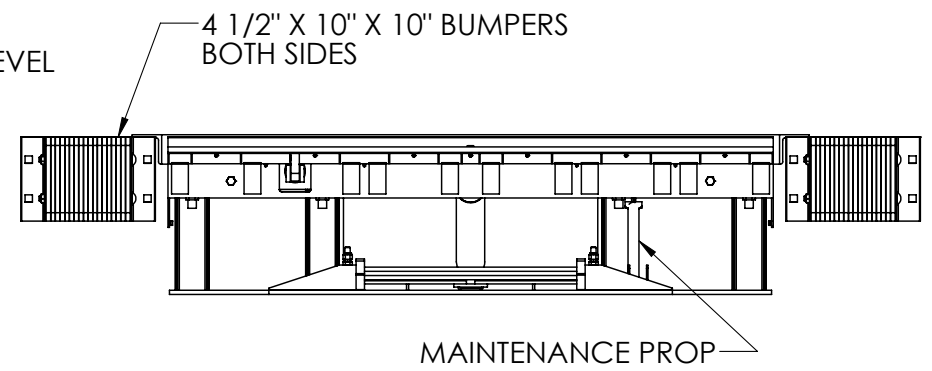
SELECT	MODEL #	SIZE	"A" PIT WIDTH	"B" LEVELER WIDTH	"C" PIT LENGTH	"D" PIT DEPTH REAR	"E" PIT DEPTH FRONT
	NHS-6006	6'W X 6'L	74"	72"	63"	19 1/2"	20"
	NHS-6008	6'W X 8'L	74"	72"	87"	19 1/2"	20"
	NHS-6010	6'W X 10'L	74"	72"	111"	23 1/2"	24"
	NHS-6606	6'6"W X 6'L	80"	78"	63"	19 1/2"	20"
	NHS-6608	6'6"W X 8'L	80"	78"	87"	19 1/2"	20"
	NHS-6610	6'6"W X 10'L	80"	78"	111"	23 1/2"	24"
	NHS-7006	7'W X 6'L	85"	83"	63"	19 1/2"	20"
	NHS-7008	7'W X 8'L	85"	83"	87"	19 1/2"	20"
	NHS-7010	7'W X 10'L	85"	83"	111"	23 1/2"	24"

SELECT CAPACITY

25,000LB (CIR)
 30,000LB (CIR)
 35,000LB (CIR)
 40,000LB (CIR)



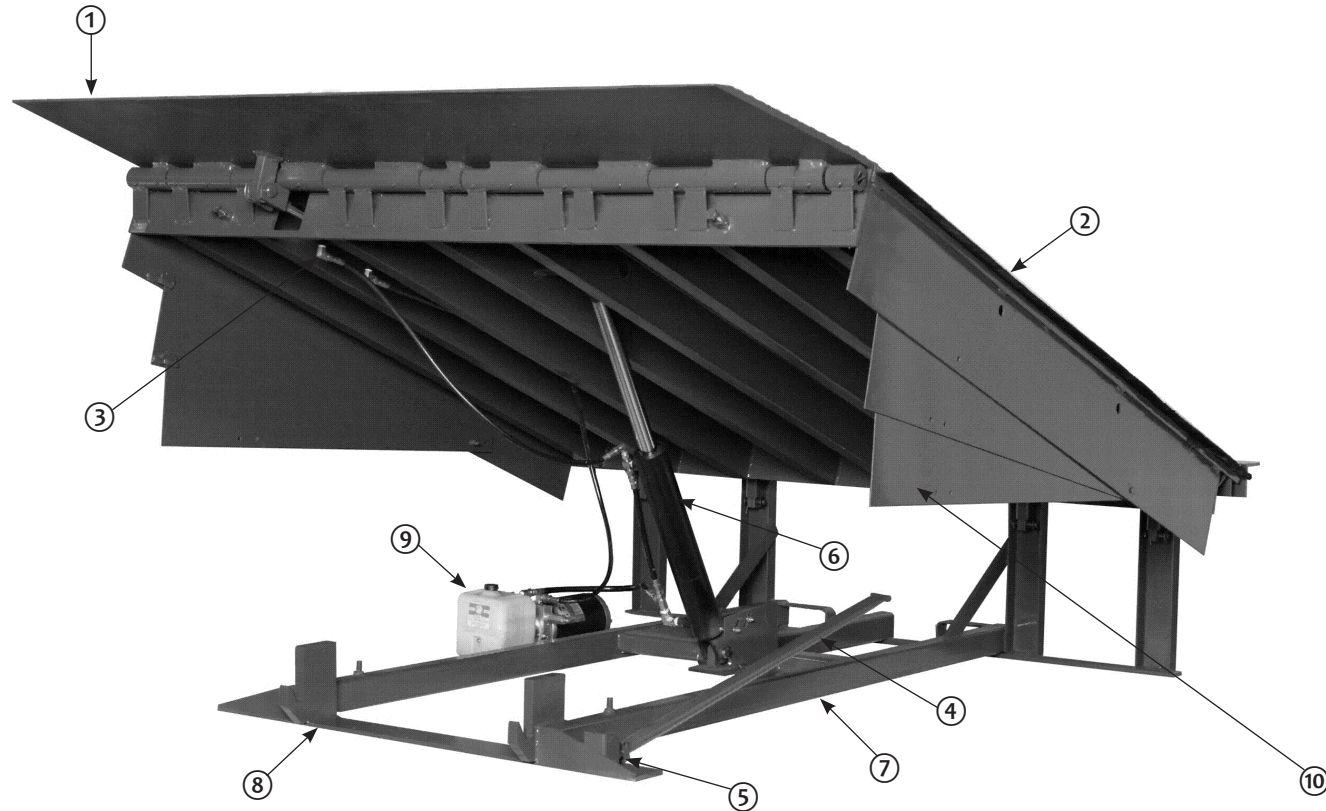
MAIN AND LIP CYLINDER VIEW



NOVA TECHNOLOGY	MATERIAL	
	NAME LEVELER	
ALL INFORMATION CONTAINED IN THIS DOCUMENT IS PROPERTY OF NOVA TECHNOLOGY AND MAY NOT BE REPRODUCED IN WHOLE OR PART, WITHOUT WRITTEN CONSENT OF NOVA TECHNOLOGY	PART NO.	NHS 25-40
	SCALE:	1:18
FINISH		SHEET 1 OF 1
		9/17/2013
		DBR

NOVA NHS HYDRAULIC DOCK LEVELER

(25K-40K)



- 1 — LIP
- 2 — PLATFORM
- 3 — LIP CYLINDER
- 4 — MAINTENANCE PROP
- 5 — PROP PIN AND CLIP
- 6 — PLATFORM CYLINDER
- 7 — MAIN FRAME
- 8 — LIP KEEPERS (2 USED)
- 9 — POWERPACK (MOTOR/PUMP/RESERVOIR)
- 10 — FULL RANGE TOE GUARD (2 USED)

STANDARD FEATURES

- 1 1/4 HP frame-mounted single- or three-phase motor
- Full-range telescoping toe guards
- Night locks, cross-traffic support
- Integral tamper-proof velocity safety stop
- 16-inch yieldable lip
- Easy clean frame design
- Below dock end load capability
- Positive lip extension and retraction with true regenerative hydraulic control
- NEMA 12 panel
- Two 4-inch 1014 laminated bumpers
- Steel channel deck support members

OPTIONAL FEATURES

- Rubber weather seal
- Brush weather seal
- V-112 bumpers
- B-610-14 bumpers
- Three-wheel support
- 5-inch barrier lip (35,000+ pound units only)
- 18-inch lip
- 20-inch lip
- 24-inch riser kit (24-inch pit depth is standard on all 10 foot long levelers)
- Wash down
- 2-inch foam insulation
- Auto-return to dock
- E-stop/independent lip
- NEMA 4 (push-button box)
- Spray metalized
- Control box stanchion
- Cut down leveler length and width
- Stainless steel pins and lip rods
- Steel pan: 4-sided
- Quick pit: 3-sided

