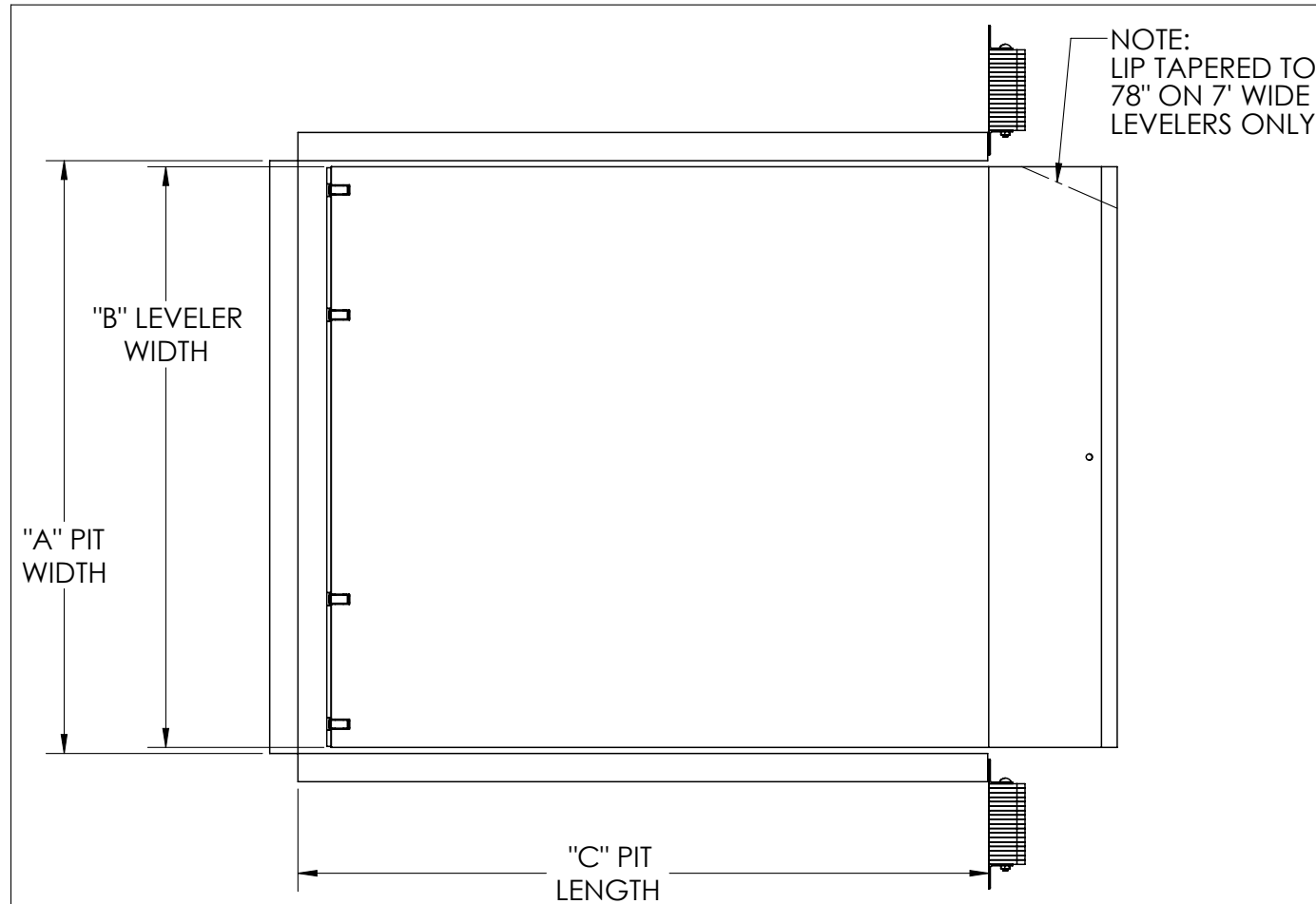


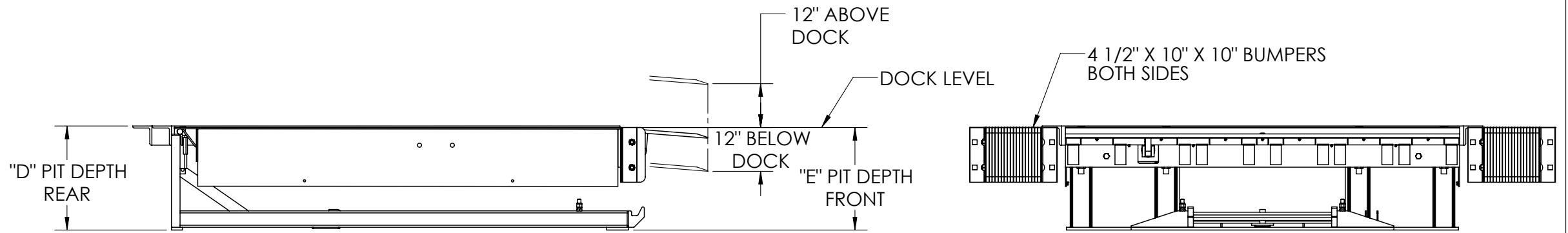
# NOVA NMS MECHANICAL DOCK LEVELER

## ARCHITECTURAL DRAWING



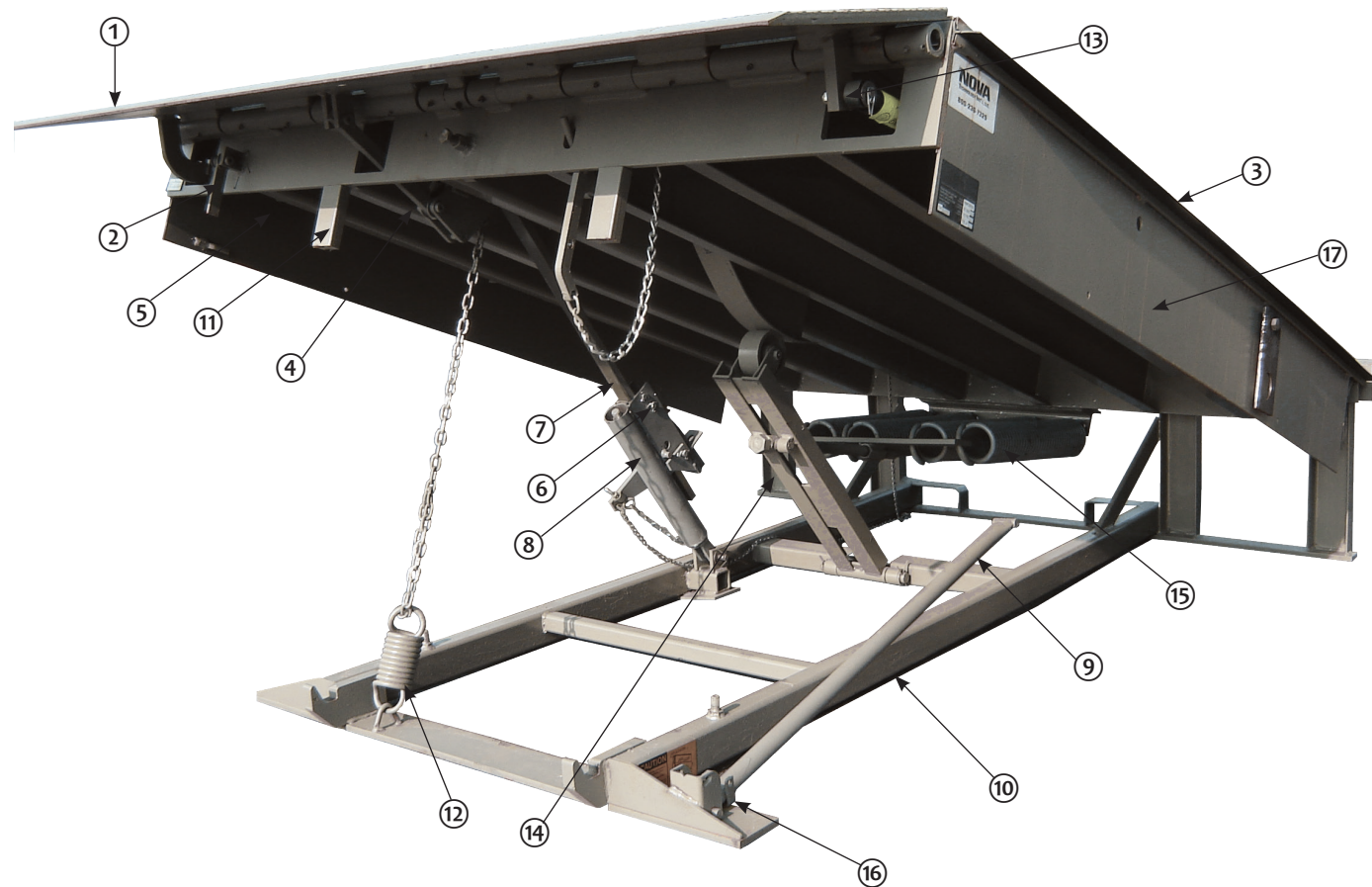
SELECT	MODEL #	SIZE	"A" PIT WIDTH	"B" LEVELER WIDTH	"C" PIT LENGTH	"D" PIT DEPTH REAR	"E" PIT DEPTH FRONT
	NMS-6006	6'W X 6'L	74"	72"	63"	19 1/2"	20"
	NMS-6008	6'W X 8'L	74"	72"	87"	19 1/2"	20"
	NMS-6010	6'W X 10'L	74"	72"	111"	23 1/2"	24"
	NMS-6606	6'6"W X 6'L	80"	78"	63"	19 1/2"	20"
	NMS-6608	6'6"W X 8'L	80"	78"	87"	19 1/2"	20"
	NMS-6610	6'6"W X 10'L	80"	78"	111"	23 1/2"	24"
	NMS-7006	7'W X 6'L	85"	83"	63"	19 1/2"	20"
	NMS-7008	7'W X 8'L	85"	83"	87"	19 1/2"	20"
	NMS-7010	7'W X 10'L	85"	83"	111"	23 1/2"	24"

SELECT CAPACITY  
 25,000LB (CIR)  
 30,000LB (CIR)  
 35,000LB (CIR)  
 40,000LB (CIR)  
 45,000LB (CIR)  
 55,000LB (CIR)



	MATERIAL			
	NAME	LEVELER		
<small>ALL INFORMATION CONTAINED IN THIS DOCUMENT IS PROPERTY OF NOVA TECHNOLOGY AND MAY NOT BE REPRODUCED IN WHOLE OR PART, WITHOUT WRITTEN CONSENT OF NOVA TECHNOLOGY</small>	PART NO.	NMS	SCALE: 1:18	
	FINISH		SHEET 1 OF 1	9/17/2013 DBR

# NOVA NMS MECHANICAL DOCK LEVELER



- 1 – LIP
- 2 – LIP MAINTENANCE PROP
- 3 – PLATFORM
- 4 – LIP LINK
- 5 – LIP ASSIST SPRING
- 6 – RATCHET PAWL

- 7 – RATCHET BAR
- 8 – HOLDOWN
- 9 – PLATFORM MAINTENANCE PROP
- 10 – MAIN BASE FRAME
- 11 – SAFETY LEG ASSEMBLY
- 12 – LIP (SNUBBER) SPRING

- 13 – LIP HOLD GAS CYLINDER
- 14 – LIFT ARM ASSEMBLY
- 15 – LIFT (MAIN) SPRING
- 16 – PROP PIN AND CLIP
- 17 – WORKING RANGE TOE GUARDS

## STANDARD FEATURES

- Multi-position structural steel safety legs
- Below dock end loading control
- Extended range float/holdown mechanism
- Multi-spring counter balance with single point adjustment
- 16-inch yieldable lip
- Working range toe guards
- Lip hold gas cylinder
- Night locks, cross-traffic support
- Grease fittings
- Steel channel deck support members (25,000, 30,000, 35,000 and 40,000 pound units)
- Structural steel support members (45,000 and 55,000 pound units)
- Three-wheel fork truck protection (45,000 and 55,000 pound units)
- Two 4-inch 1014 laminated bumpers
- Easy clean frame design

## OPTIONAL FEATURES

- Rubber weather seal
- Brush weather seal
- V-112 bumpers
- B-610-14 bumpers
- Three-wheel support (25,000 pound to 40,000 pound units)
- Full range toe guards
- 18-inch lip
- 20-inch lip
- 24-inch riser kit (24-inch pit depth is standard on all 10 foot long levelers)
- Wash down
- 2-inch foam insulation
- Spray metalized
- Cut down leveler length and width
- Stainless steel pins and lip rods
- Steel pan: 4-sided
- Quick pit: 3-sided

